



SOD-123 Plastic-Encapsulate Diodes

B0520LW/B0530W/B0540W

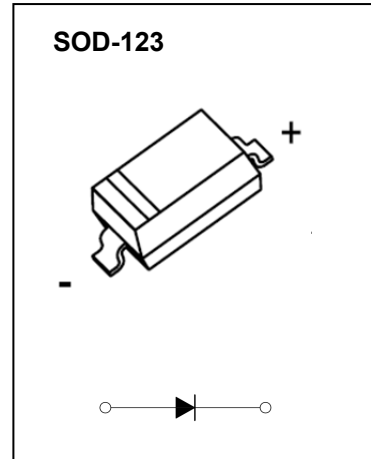
SCHOTTKY BARRIER DIODE

FEATURES

- Low Forward Voltage Drop
- Guard Ring Construction for Transient Protection
- High Conductance
- Also Available in Lead Free Version

MARKING:

B0520LW:SD	B0530W:SE	B0540W:SF



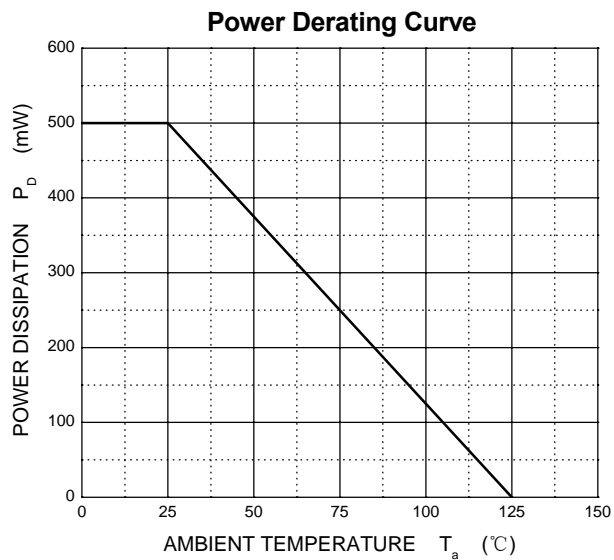
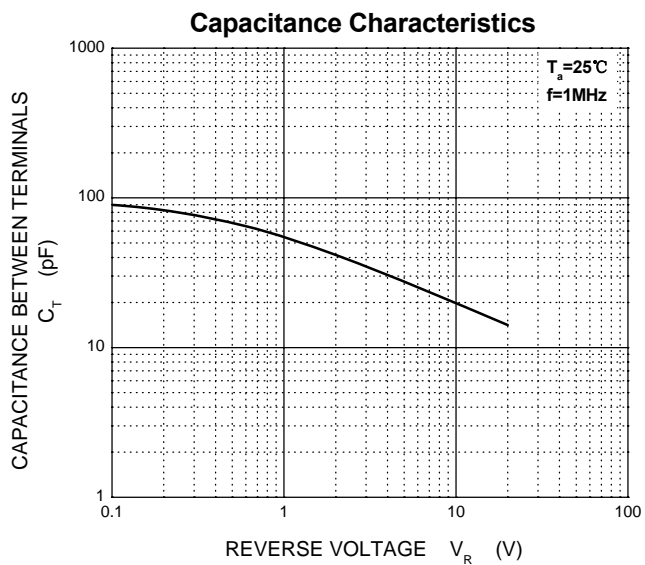
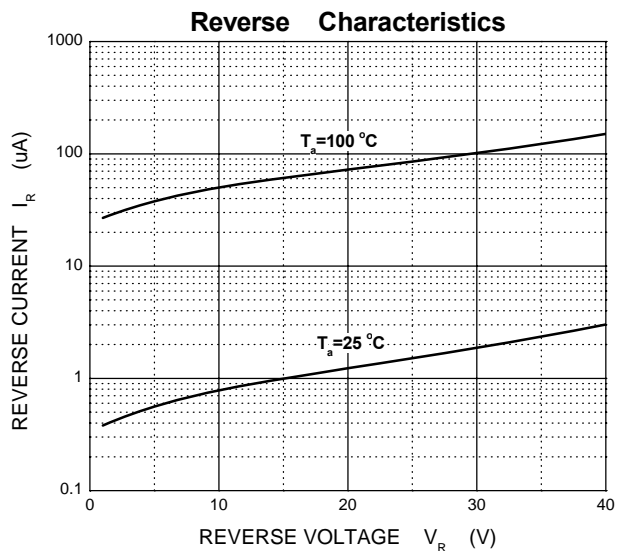
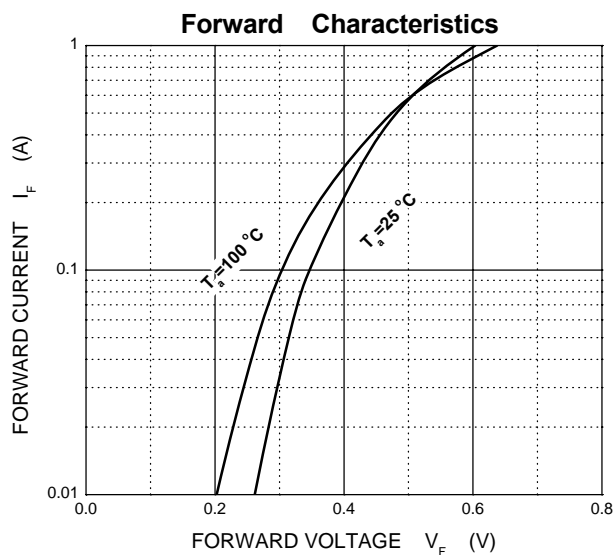
The marking bar indicates the cathode
Solid dot = Green molding compound device, if none, the normal device.

Maximum Ratings @Ta=25°C

Parameter	Symbol	B0520LW	B0530W	B0540W	Unit
Peak repetitive peak reverse voltage	V_{RRM}				
Working peak reverse voltage	V_{RWM}	20	30	40	V
DC Blocking voltage	V_R				
RMS reverse voltage reverse voltage (DC)	$V_{R(RMS)}$	14	20	28	V
Average rectified output current	I_o		0.5		A
Forward Current	I_{FSM}		5.5		A
Power dissipation	P_D		500		mW
Thermal resistance junction to ambient	$R_{\theta JA}$		250		°C/W
Junction temperature	T_j		150		°C
Storage temperature	T_{STG}		-55~+150		°C
Voltage rate of change	dv/dt		1000		V/μS

Electrical Characteristics @Ta=25°C

Parameter	Symbol	B0520LW	B0530W	B0540W	Unit	Conditions
Minimum reverse breakdown voltage	$V_{(BR)R}$	20	--	--	V	$I_R=250 \mu A$
		--	30	--		$I_R=200 \mu A$
		--	--	40		$I_R=20 \mu A$
Forward voltage	V_{F1}	0.32	0.375	--	V	$I_F=0.1A$
	V_{F2}	0.385	0.430	0.510		$I_F=0.5A$
	V_{F3}	--	--	0.62		$I_F=1A$
Reverse current	I_{R1}	75	--	--	μA	$V_R=10V$
	I_{R2}	--	20	--		$V_R=15V$
Reverse current	I_{R3}	250	--	10	μA	$V_R=20V$
	I_{R4}	--	130	--		$V_R=30V$
	I_{R5}	--	--	20		$V_R=40V$
Capacitance between terminals	C_T	--	--	170	pF	$V_R=0, f=1MHz$



SOD-123 Package Outline Dimensions



Symbol	Dimensions In Millimeters		Dimensions In Inches	
	Min	Max	Min	Max
A	1.050	1.250	0.041	0.049
A1	0.000	0.100	0.000	0.004
A2	1.050	1.150	0.041	0.045
b	0.450	0.650	0.018	0.026
c	0.080	0.150	0.003	0.006
D	1.500	1.700	0.059	0.067
E	2.600	2.800	0.102	0.110
E1	3.550	3.850	0.140	0.152
L	0.500 REF		0.020 REF	
L1	0.250	0.450	0.010	0.018
θ	0°	8°	0°	8°

SOD-123 Suggested Pad Layout



Note:

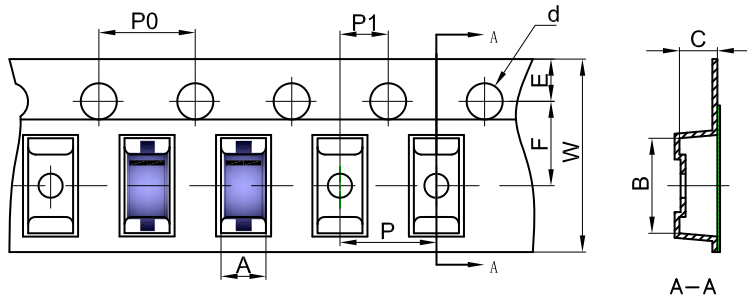
1. Controlling dimension: in millimeters.
2. General tolerance: $\pm 0.05\text{mm}$.
3. The pad layout is for reference purposes only.

NOTICE

JCET reserve the right to make modifications, enhancements, improvements, corrections or other changes without further notice to any product herein. JCET does not assume any liability arising out of the application or use of any product described herein.

SOD-123 Tape and Reel

SOD-123 Embossed Carrier Tape



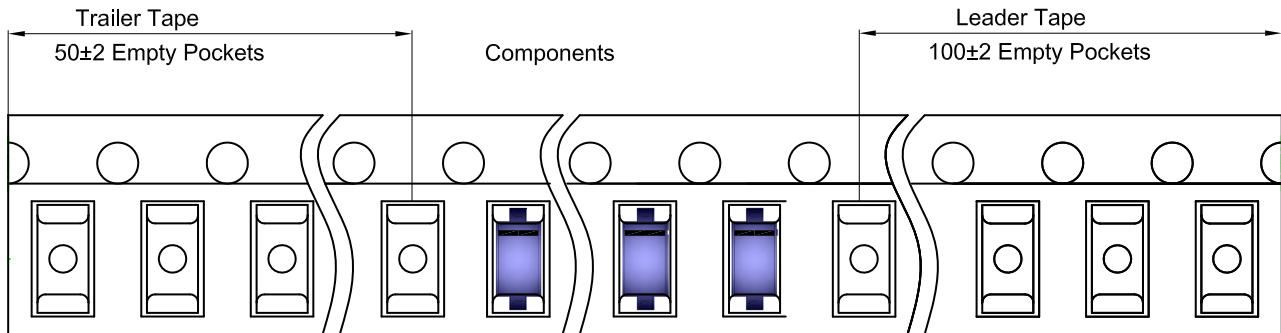
Packaging Description:

SOD-123 parts are shipped in tape. The carrier tape is made from a dissipative (carbon filled) polycarbonate resin. The cover tape is a multilayer film (Heat Activated Adhesive in nature) primarily composed of polyester film, adhesive layer, sealant, and anti-static sprayed agent. These reeled parts in standard option are shipped with 3,000 units per 7" or 17.8cm diameter reel. The reels are clear in color and is made of polystyrene plastic (anti-static coated).

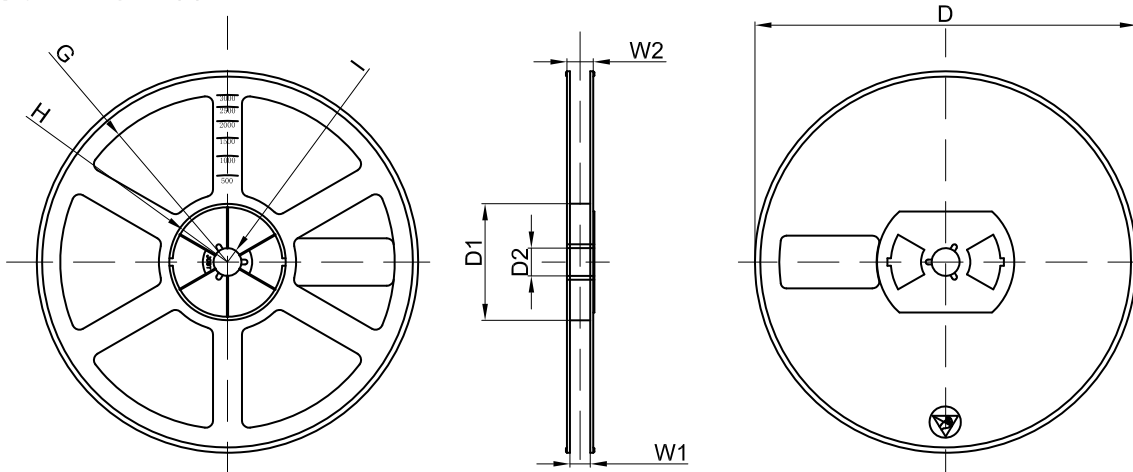
Dimensions are in millimeter

Pkg type	A	B	C	d	E	F	P0	P	P1	W
SOD-123	1.85	3.95	1.57	Ø1.55	1.75	3.50	4.00	4.00	2.00	8.00

SOD-123 Tape Leader and Trailer



SOD-123 Reel



Dimensions are in millimeter

Reel Option	D	D1	D2	G	H	I	W1	W2
7"Dia	Ø178.00	54.40	13.00	R78.00	R25.60	R6.50	9.50	12.30

REEL	Reel Size	Box	Box Size(mm)	Carton	Carton Size(mm)	G.W.(kg)
3000 pcs	7 inch	45,000 pcs	203×203×195	180,000 pcs	438×438×220	